

## Stainless Steel Dish Cabinet

Item: 49244 | 49245 | 49246 | 49247

### Convenient solution to store clean dishes in your busy kitchen.

This cabinet features an open design for quick and easy access to its contents. With this unit, your dinnerware and drinkware stay protected and sanitary, kept out of customers' view while remaining accessible for staff.

#### FEATURES

- 18-gauge 304 stainless steel top
- Adjustable/removable middle shelf
- Adjustable bullet style feet
- Open design for quick and easy access



# Handling and Storage

## Stainless Steel Dish Cabinet

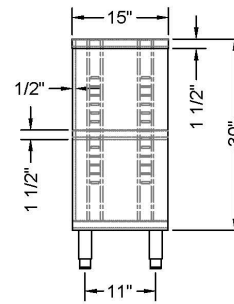
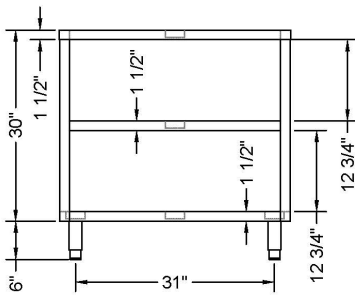
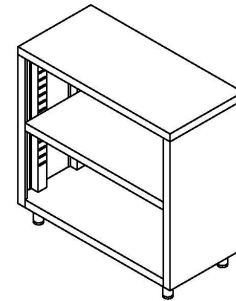
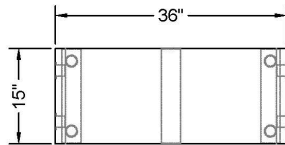


### TECHNICAL SPECIFICATIONS

Item	49244	49245	49246	49247
Feature (W x D)	36" x 15"	84" x 15"	36" x 18"	84" x 18"
Top Load Capacity	350 lb (158.7 kg)	430 lb (195 kg)	380 lb (172.3 kg)	460 lb (208.6 kg)
Shelf Load Capacity	105 lb (47.6 kg)	145 lb (65.7 kg)	120 lb (54.4 kg)	160 lb (72.5 kg)
Bottom Load Capacity	116 lb (kg)	160 lb (kg)	135 lb (kg)	179 lb (kg)
Material	304 stainless steel top 430 stainless steel shelf, walls, bottom and hat channel			
Number of Shelves	1	1	1	1
Net Dimensions (WDH)	36" x 15" x 36" (915 x 381 x 915 mm)	84" x 15" x 36" (2134 x 381 x 915 mm)	36" x 18" x 36" (915 x 457 x 915 mm)	84" x 18" x 36" (2134 x 457 x 915 mm)
Net Weight	72 lb (32.6 kg)	120 lb (54.4 kg)	78 lb (35.3 kg)	138 lb (62.6 kg)

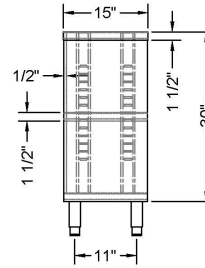
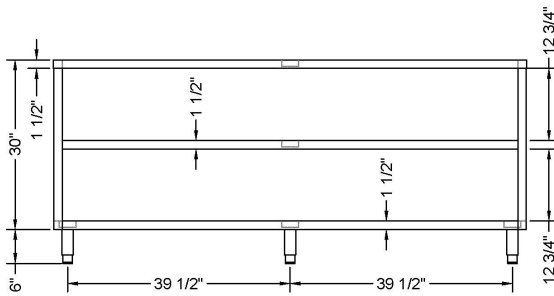
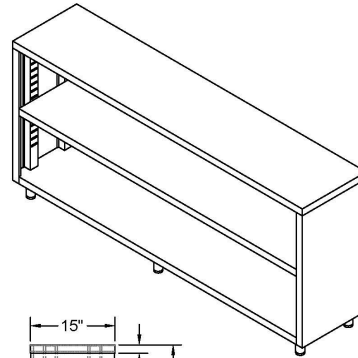
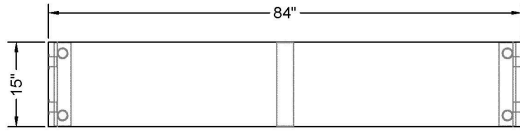
### TECHNICAL DRAWINGS

49244

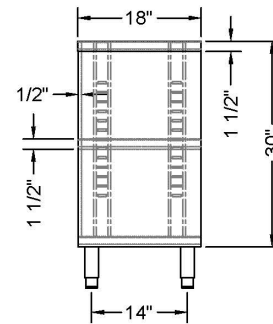
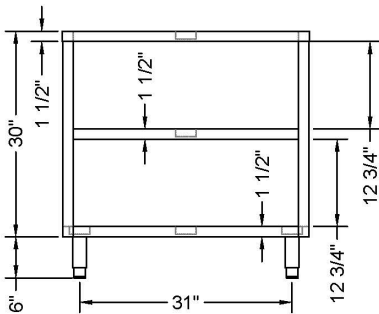
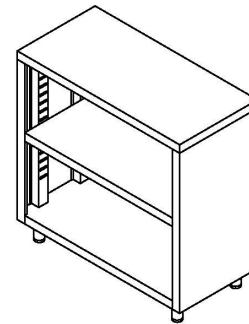
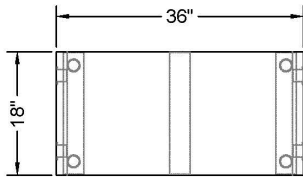


### TECHNICAL DRAWINGS

49245



49246



### TECHNICAL DRAWINGS

49247

